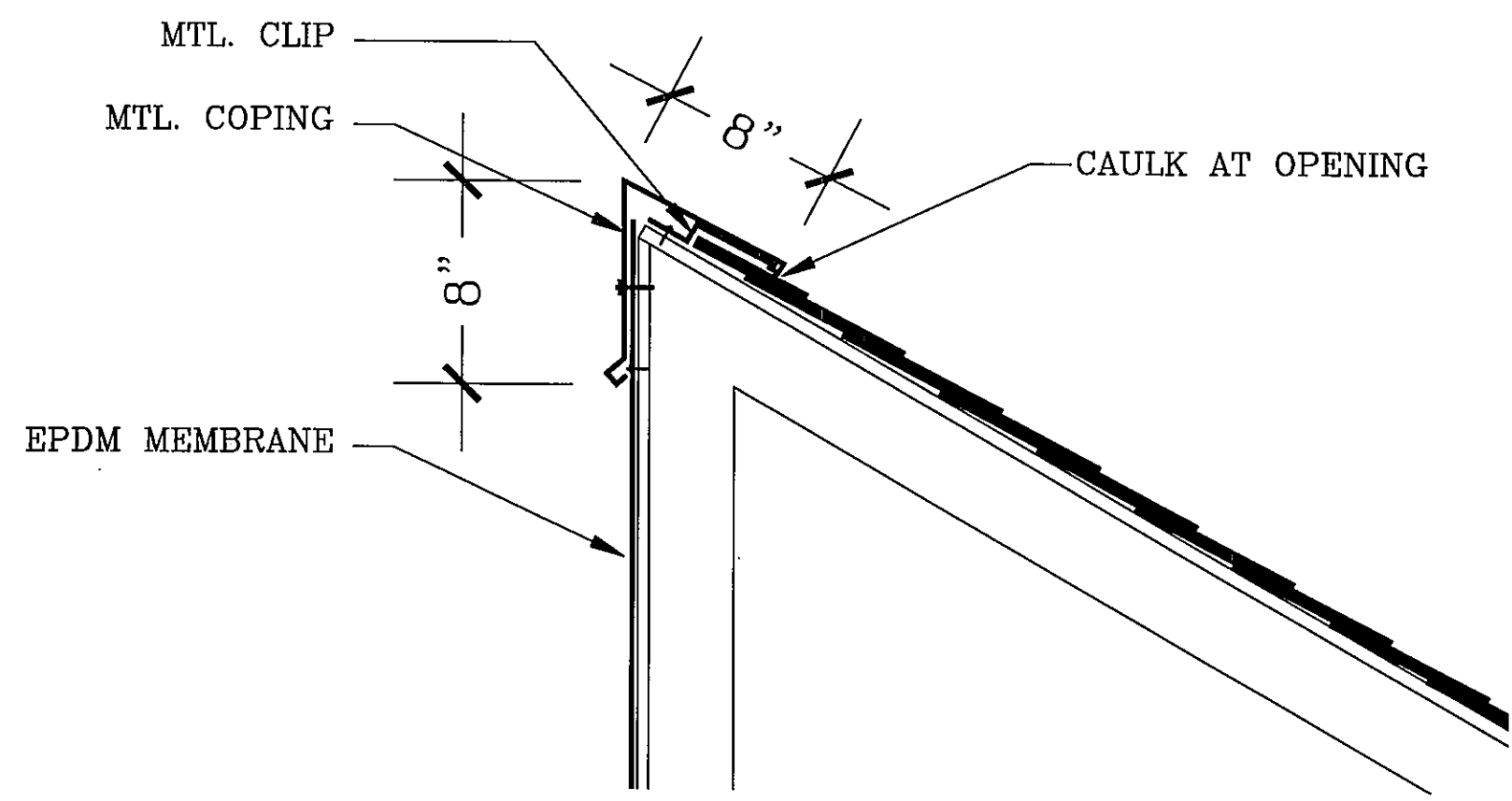
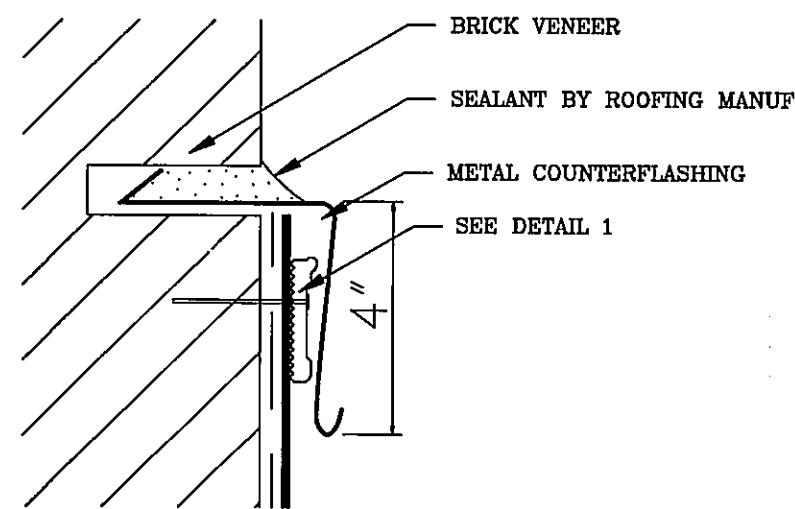


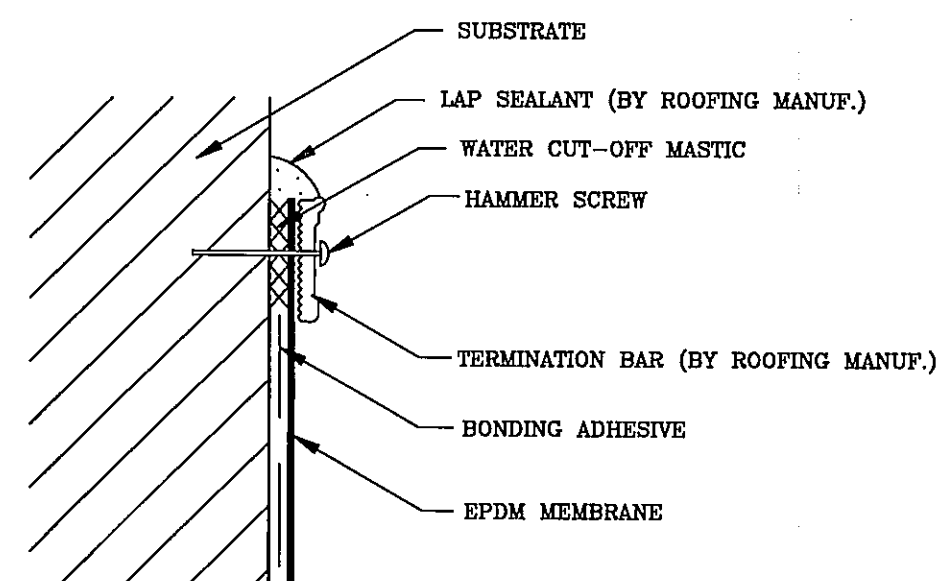
REVISIONS



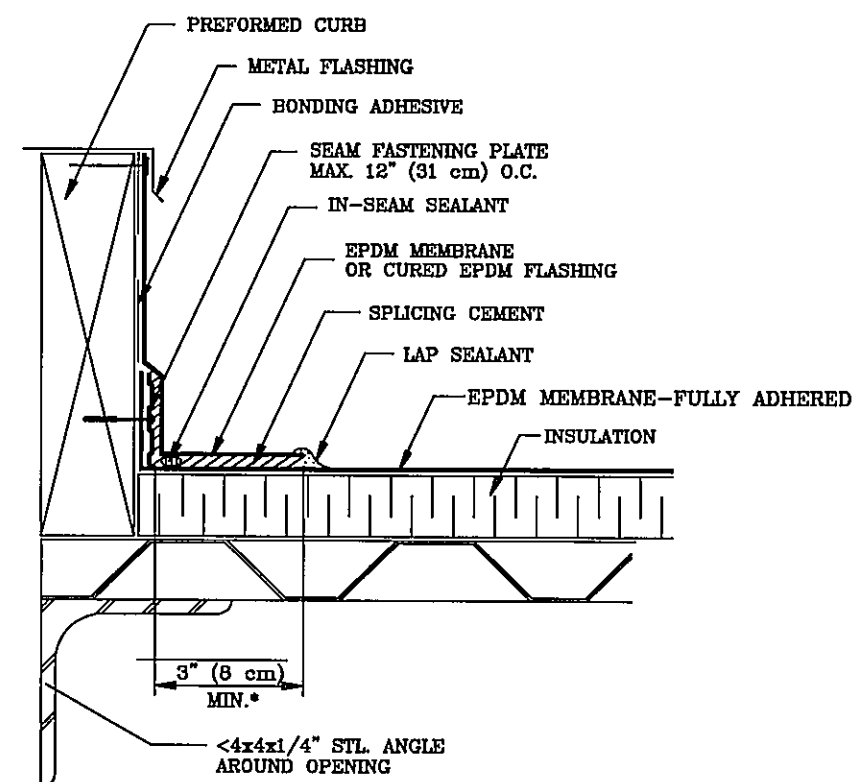
8 MTL COPING DETAIL
1 1/2'-1'-0"



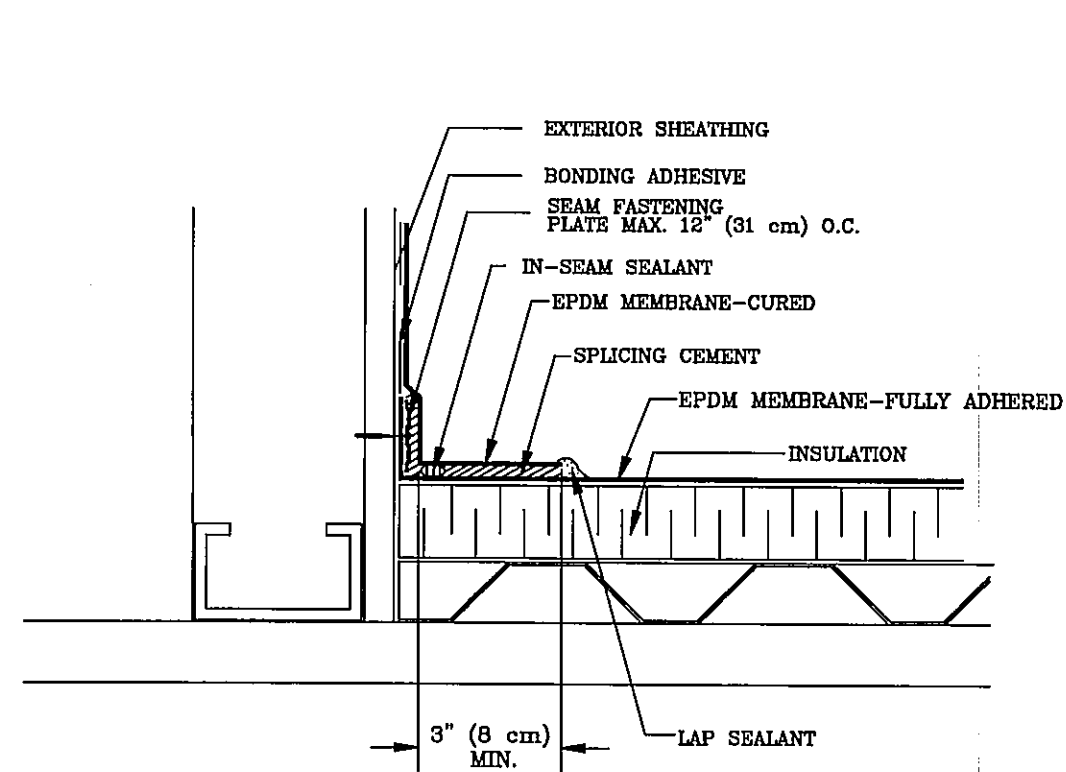
7 COUNTERFLASHING TERMINATION
NTS.



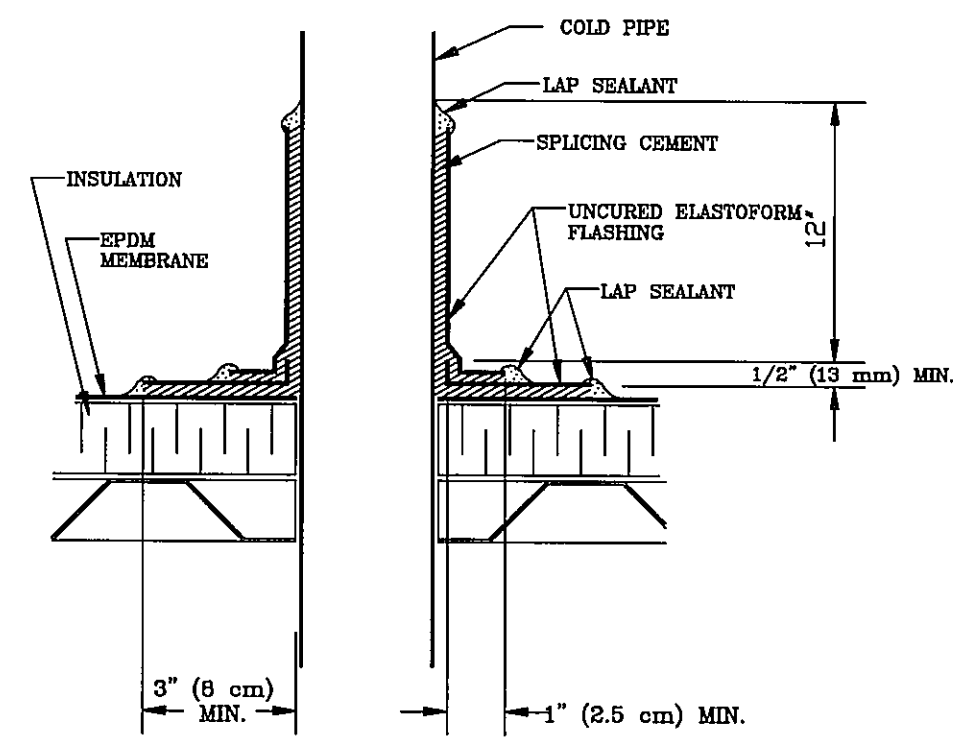
6 MECHANICAL TERMINATION
NTS.



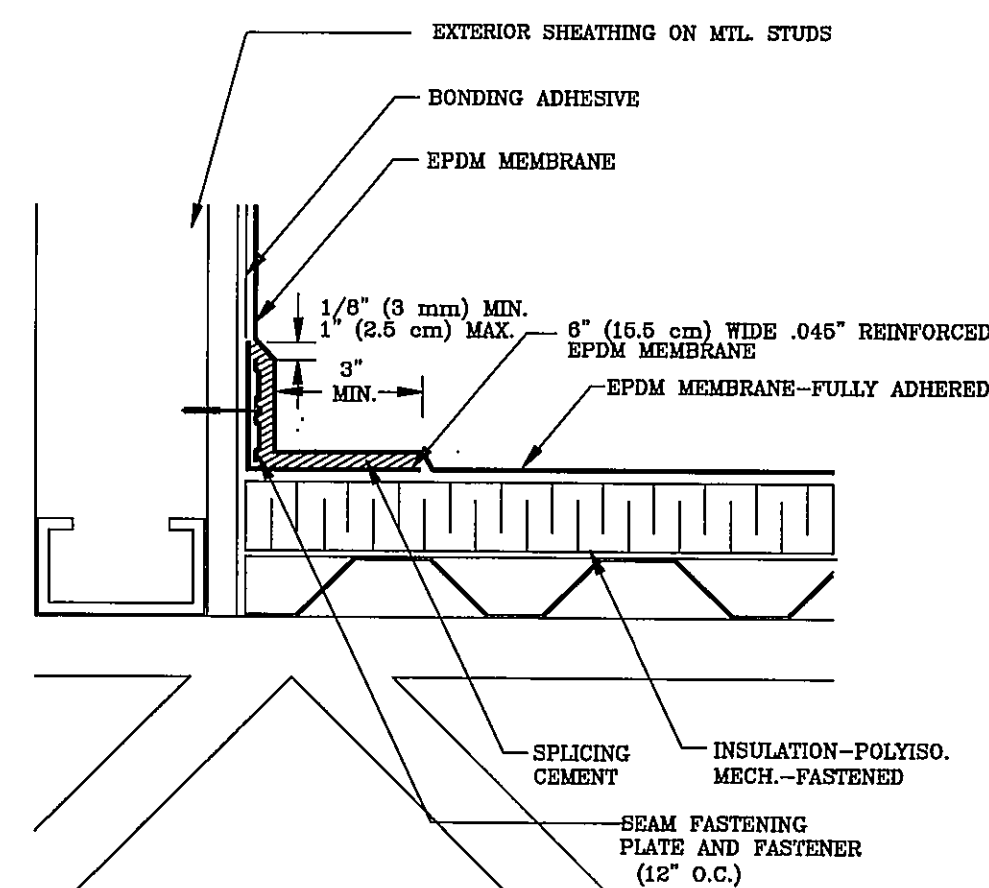
5 CURB FLASHING DETAIL AT MECHANICAL
NTS.



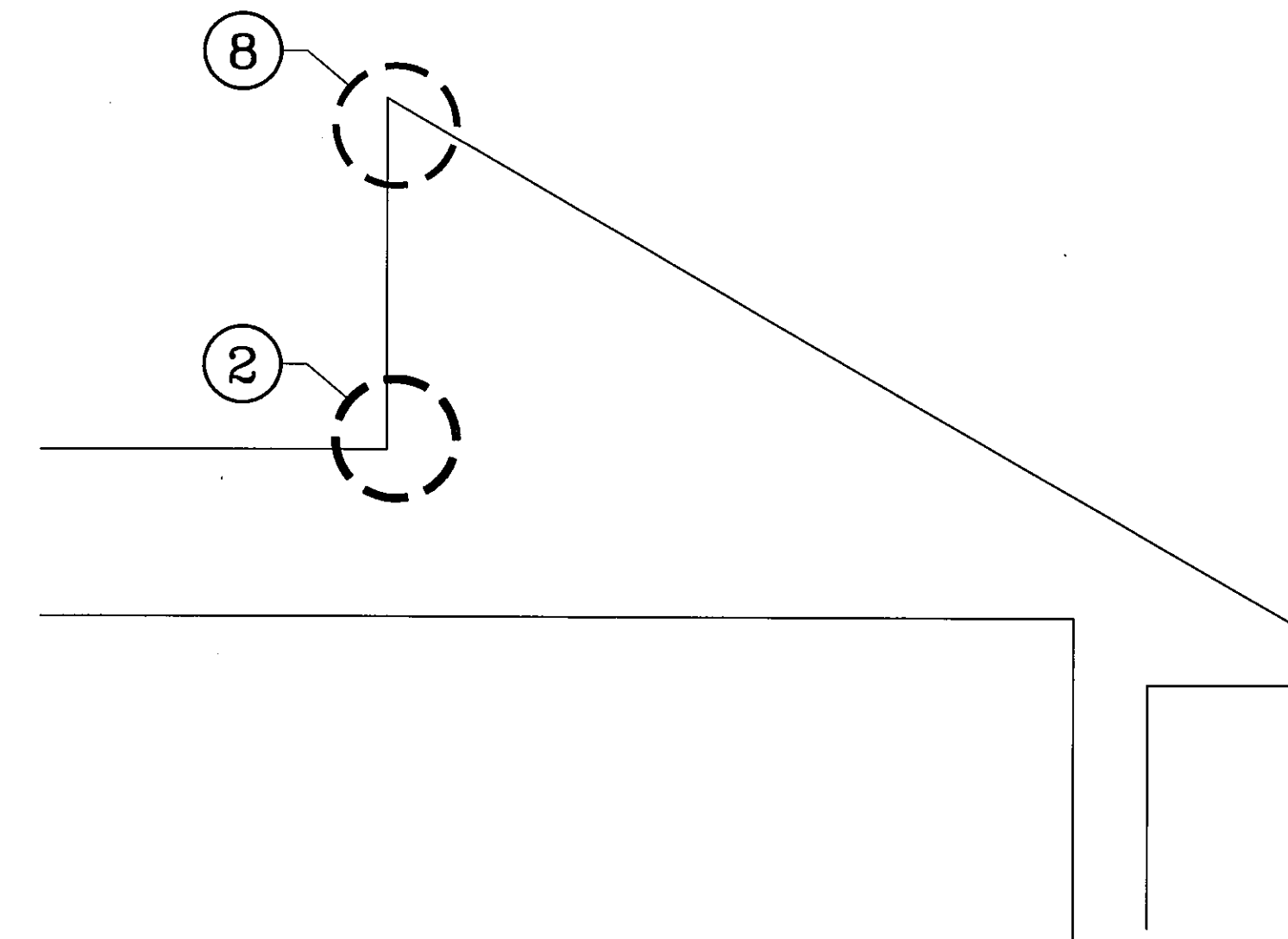
4 TWO PIECE PARAPET FLASHING DETAIL
NTS.



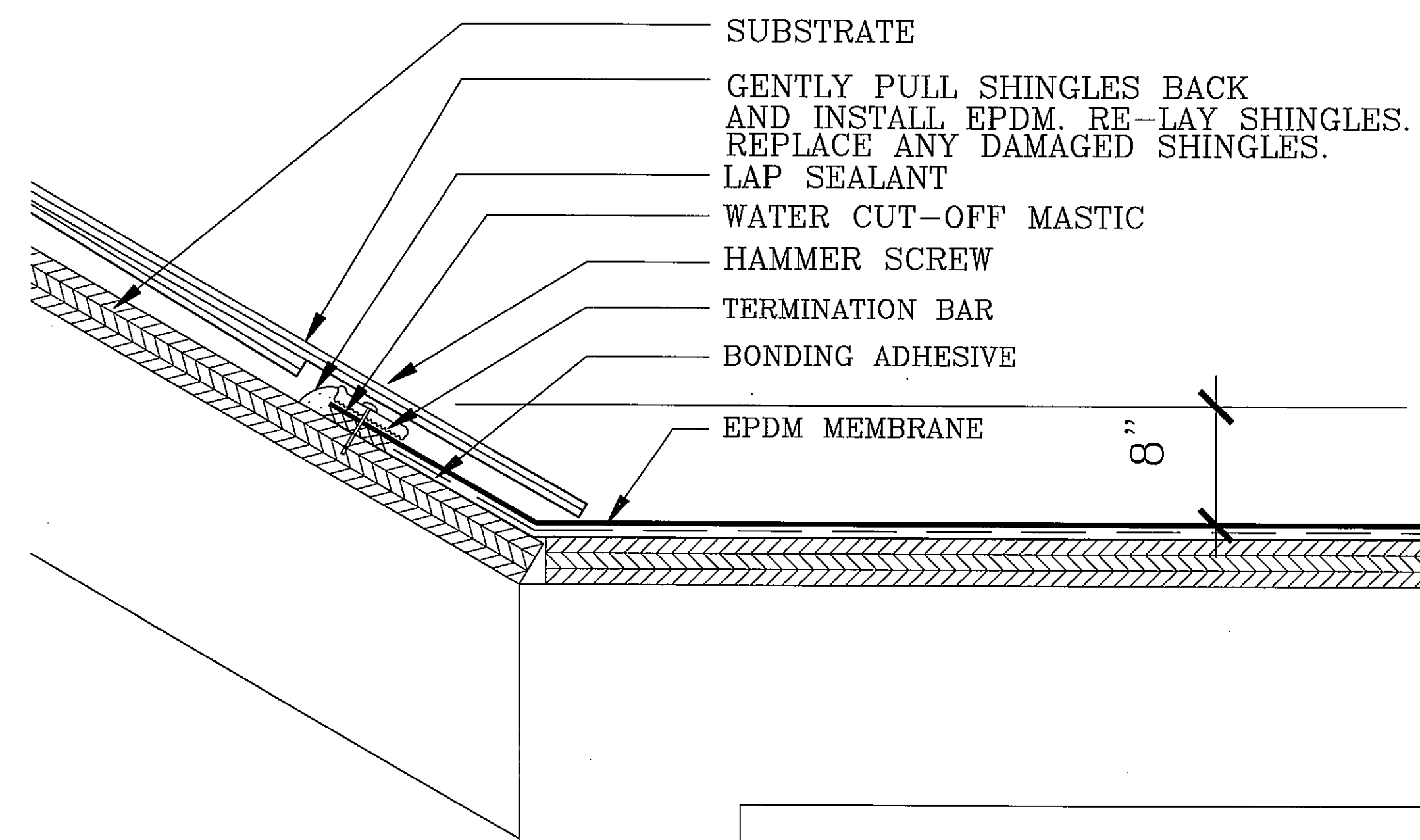
3 FIELD FABRICATED PIPE SEAL
NTS.



2 ONE PIECE PARAPET/CURB CURED EPDM
NTS.



MANSARD DIAGRAM
NTS



1 TRANSITION DETAIL
6'-1'-0"

ADDITION TO RICHARD R. CLARK SENIOR
CENTER
LA PLATA, MARYLAND

R.L. LITTEN & ASSOCIATES, ARCHITECTS, LLC
300 CHARLES STREET, SUITE 4
P.O. BOX 1920, LA PLATA, MD 20646 (301) 934-1471

KL
RL
07-14-09
05-79

522