

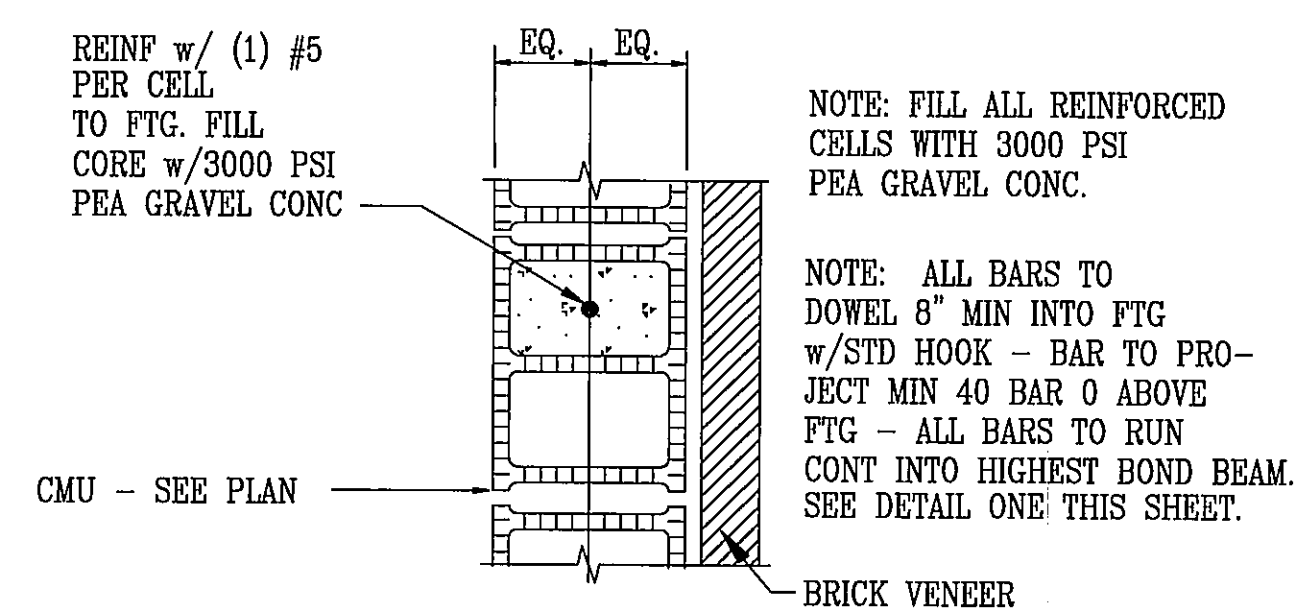
REVISIONS

**ADDITION TO CLARK CENTER**  
LA PLATA, MARYLAND

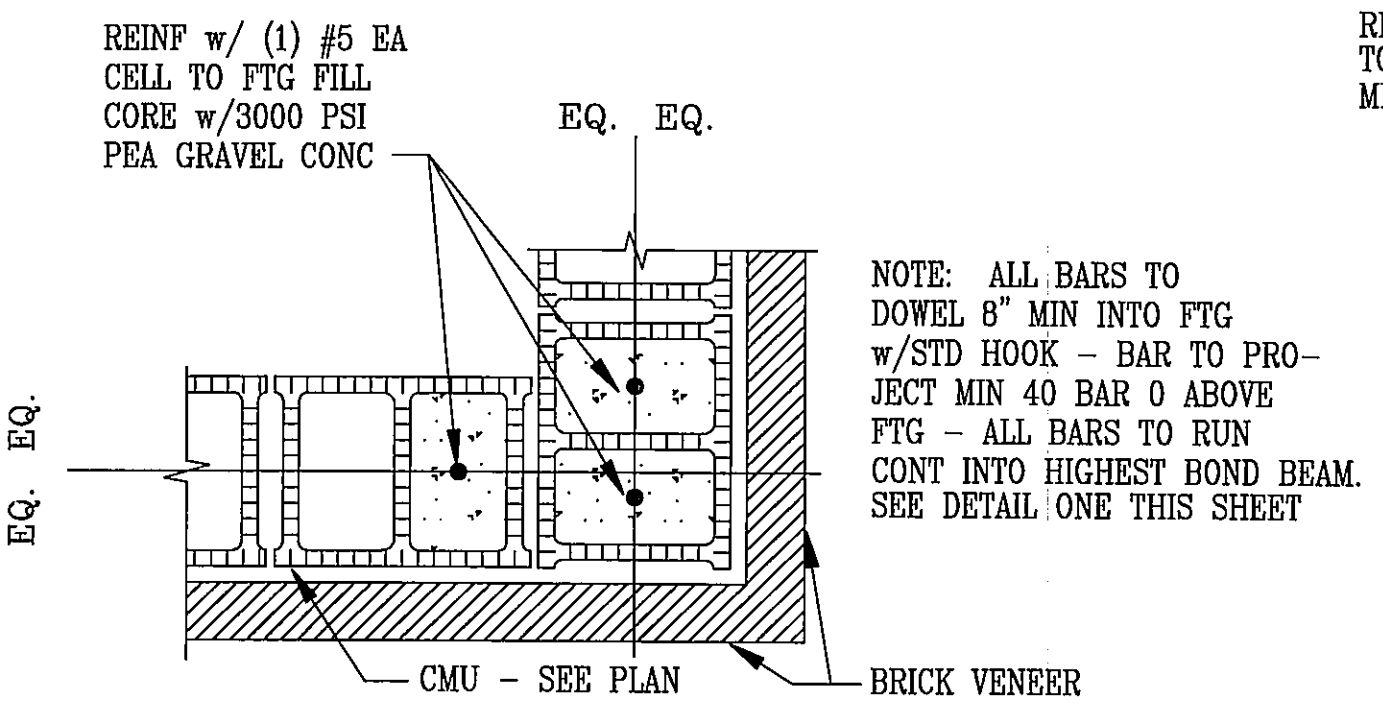
**R.L. LITTEN & ASSOCIATES, ARCHITECTS, LLC**  
300 CHARLES STREET, SUITE 4  
P.O. BOX 1920, LAPLATA, MD 20646 (301) 934-1471

KL
RL
07-14-09
05-79

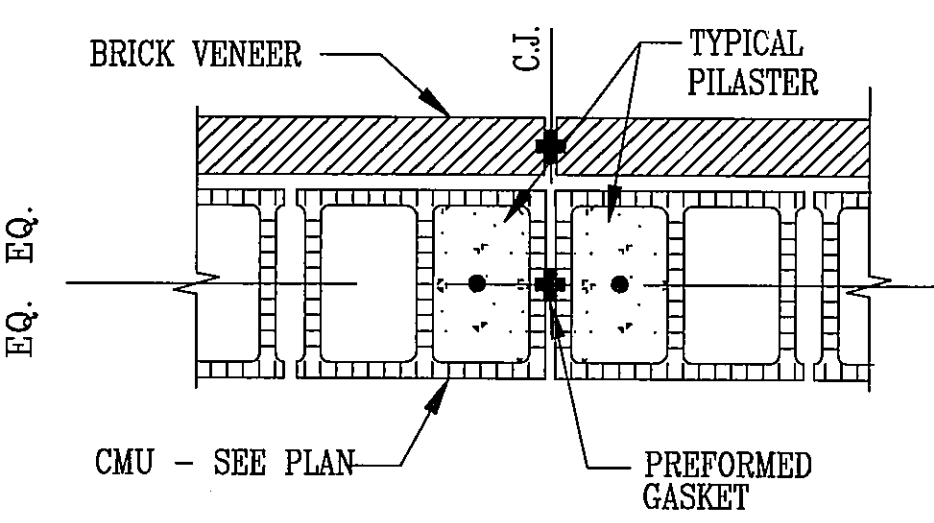
321



TYPICAL PILASTER

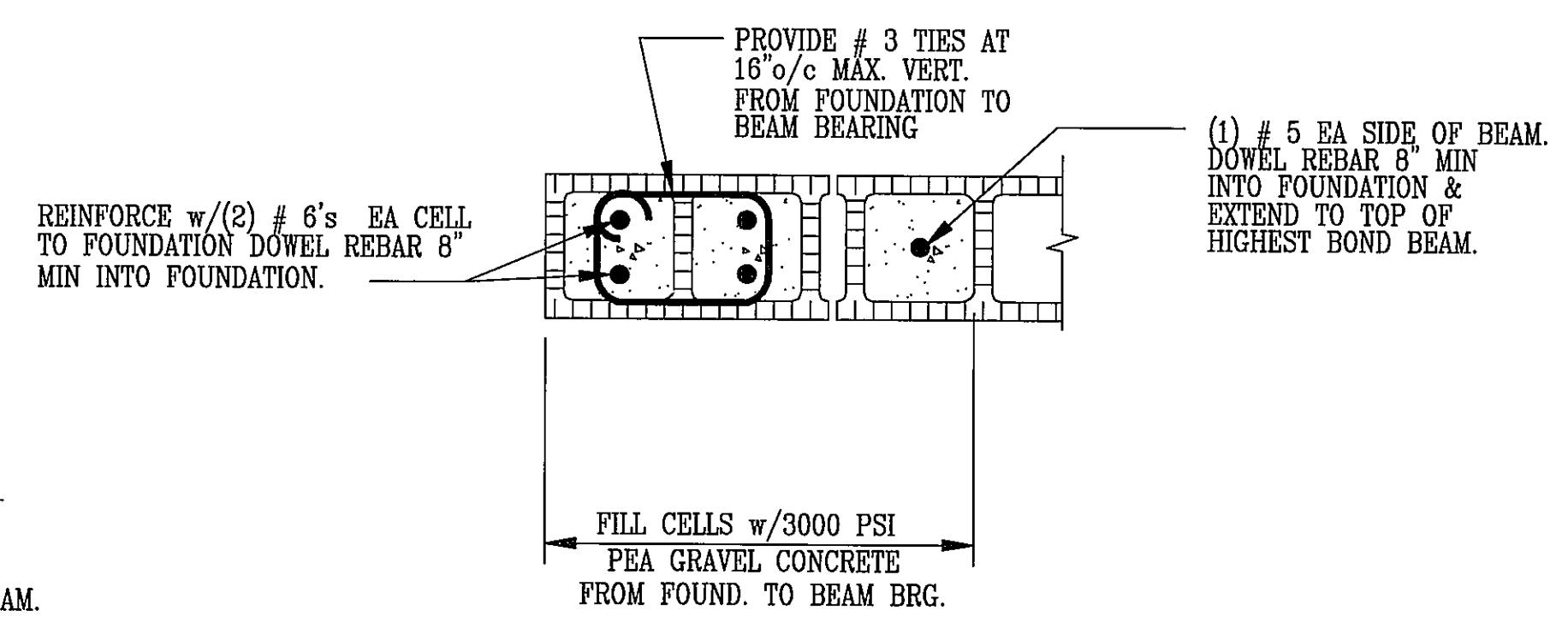


TYPICAL CORNER PILASTER

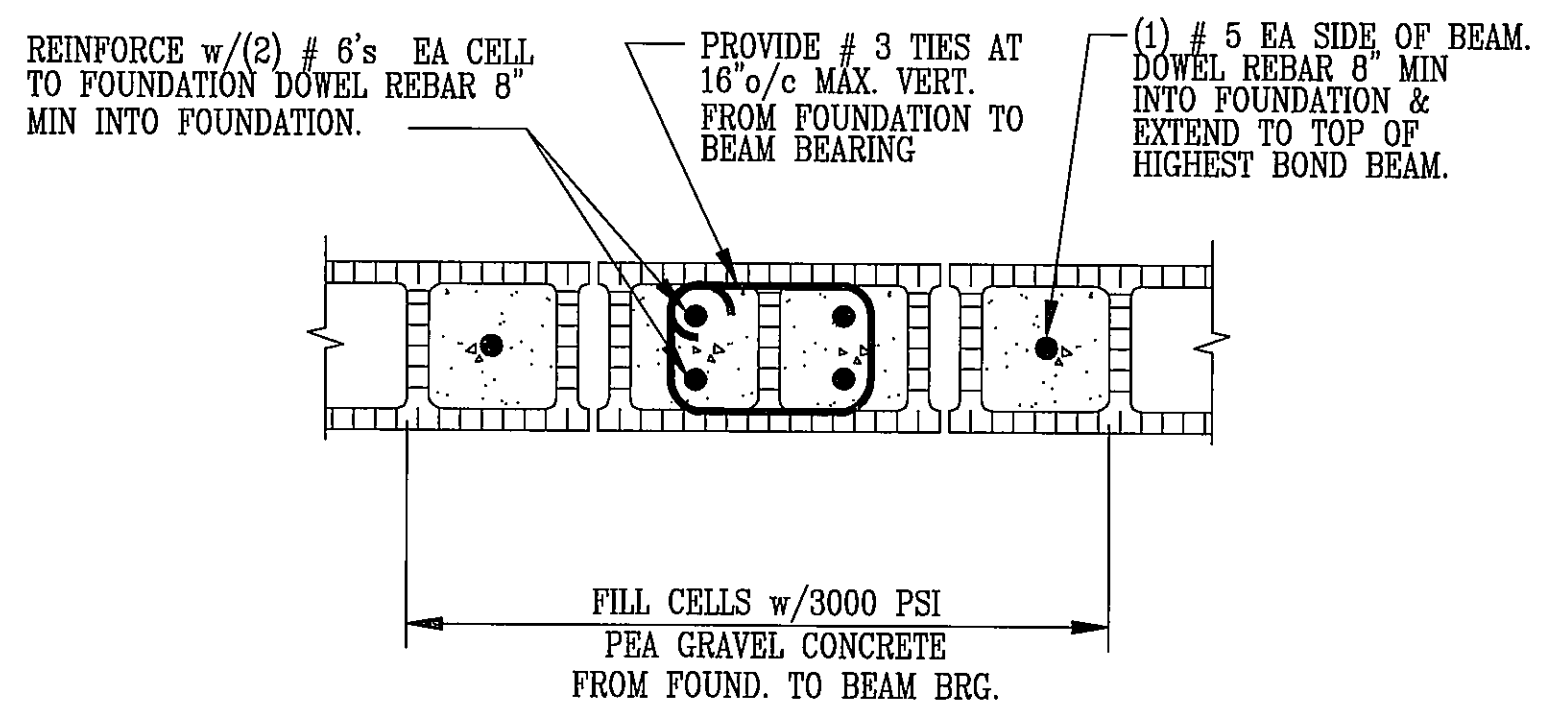


TYPICAL CONTROL JOINT

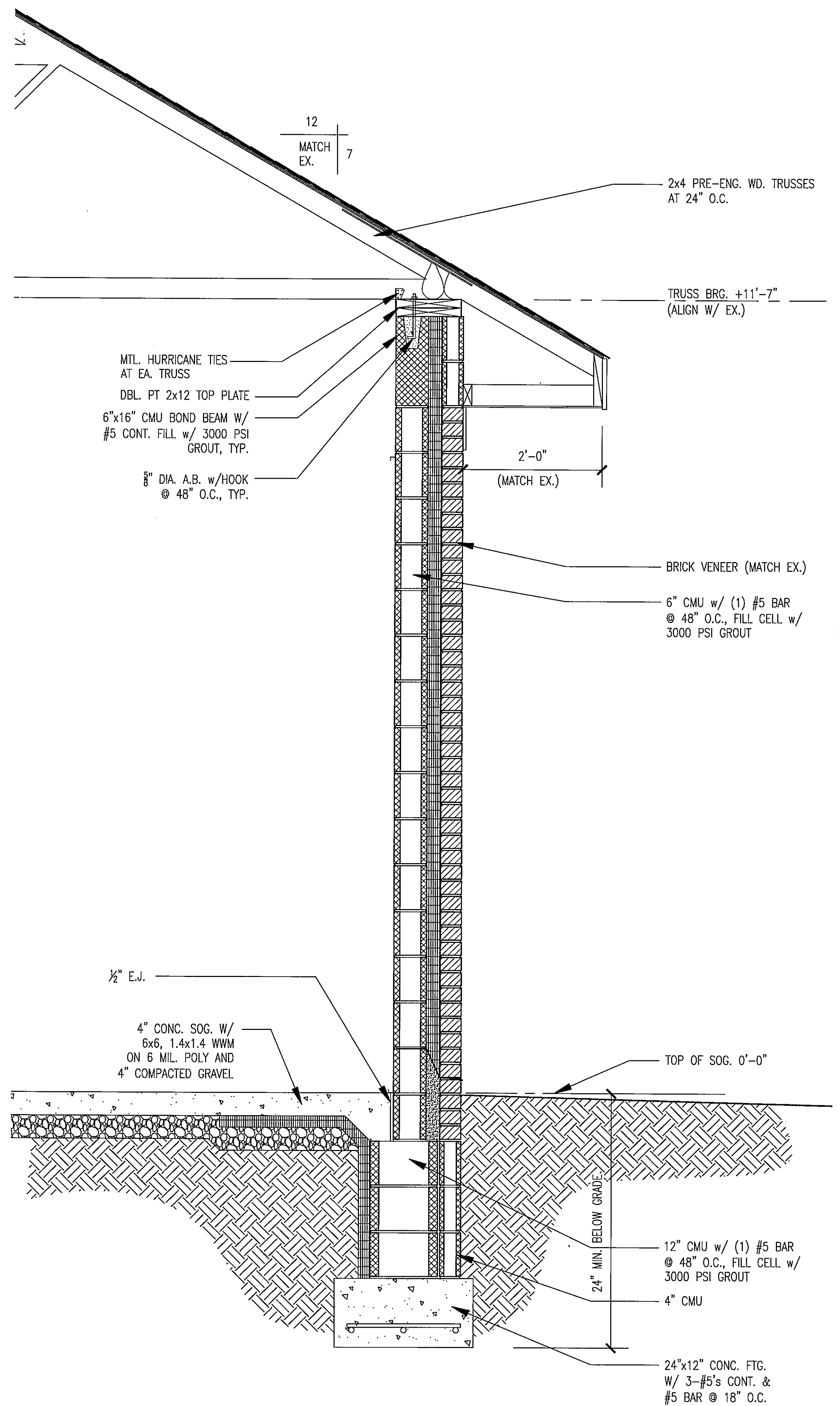
TYPICAL MASONRY REINFORCEMENT DETAILS



TYPICAL BEAM BEARING PARALLEL



TYPICAL BEAM BEARING PERPENDICULAR



1 WALL SECTION 1'-1'-0"