

SEAL:

Professional Certification
 I have prepared this drawing and certify that I am a duly Licensed Professional Engineer in the State of Maryland.
 Signature: _____
 Date: _____
 License No.: 22883 S.E.M.
 Registration No.: 20080411-2008

CONSULTANTS:

STRUCTURAL ENGINEER:
 THE WATKINS PARTNERSHIP, INC.
 13 WEST ALBANY ROAD
 ROCKE, MD 20718
 (410) 741-1719
 FAX NO. (301) 246-9274

MECHANICAL/ELECTRICAL ENGINEER:
 SCHENGER, PRT & ASSOCIATES, INC.
 13 WEST ALBANY ROAD
 THUNDERBOLT, MD 21093
 (410) 581-1837
 FAX NO. (410) 581-1446

PROJECT:
 GREENVIEW KNOLLS
 ELEMENTARY SCHOOL

VESTIBULE & OFFICE
 RENOVATIONS;
 ADMINISTRATIVE SUITE

4571 MILITARY LANE
 GREAT MILLS, MD 20634

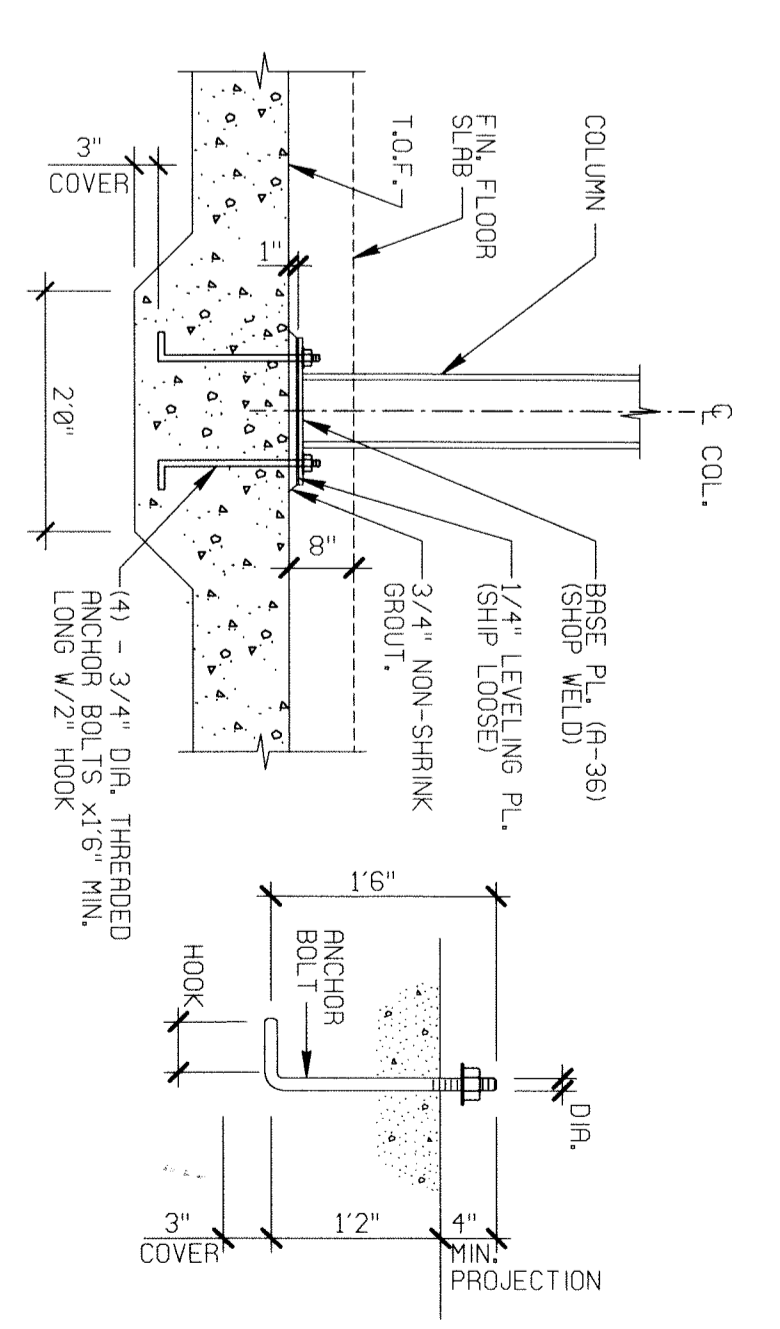
© 2009 WHELER GOODMAN WATKINS
 & Associates, Inc.
 These drawings are the property of the
 ASSOCIATES, INC. Unauthorised re-
 production or use of these drawings
 without the written permission of the
 firm is strictly prohibited. Violators
 will be subject to legal action.

REVISIONS:

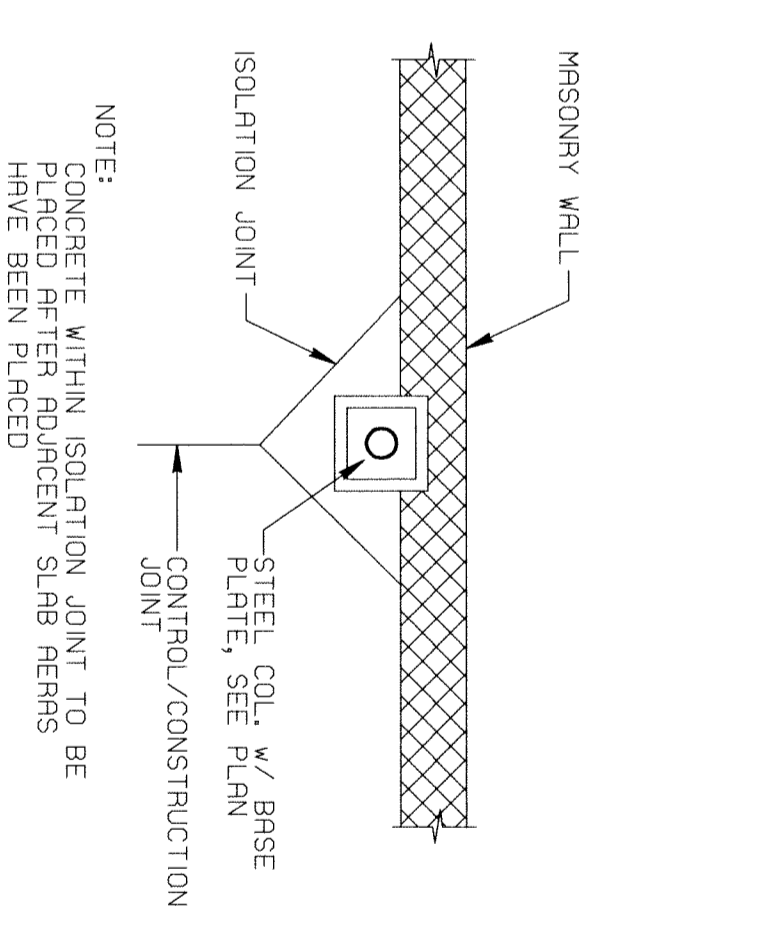
BID
 DOCUMENTS

TITLE:
 TYPICAL DETAILS

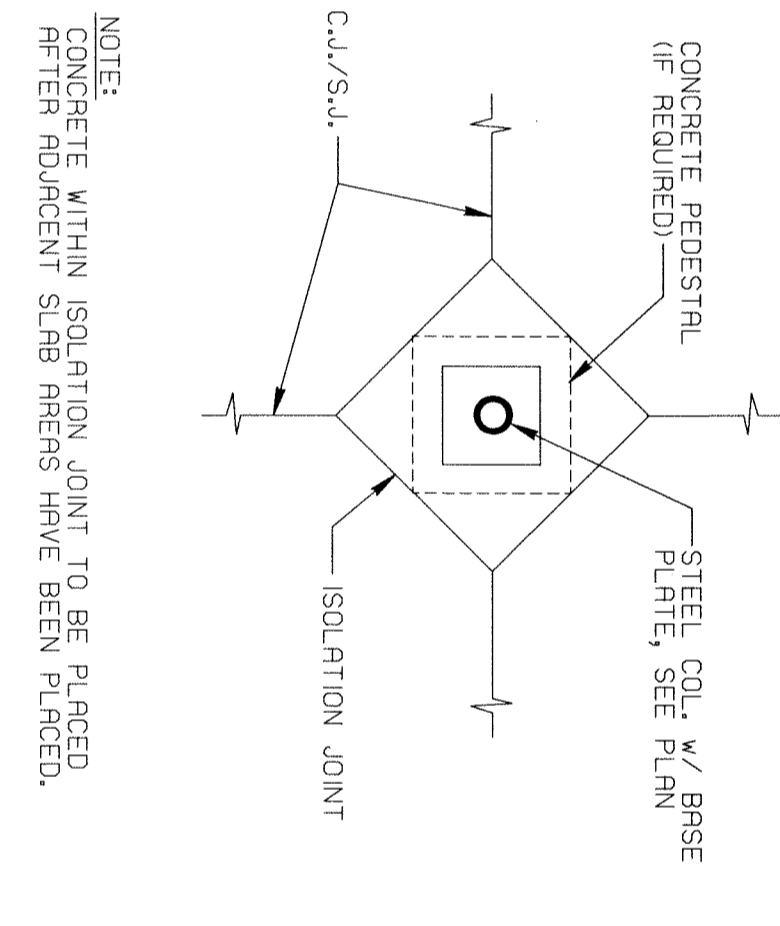
DATE: 01.05.09
 JOB NO.: 28101.08
 SHEET NO.



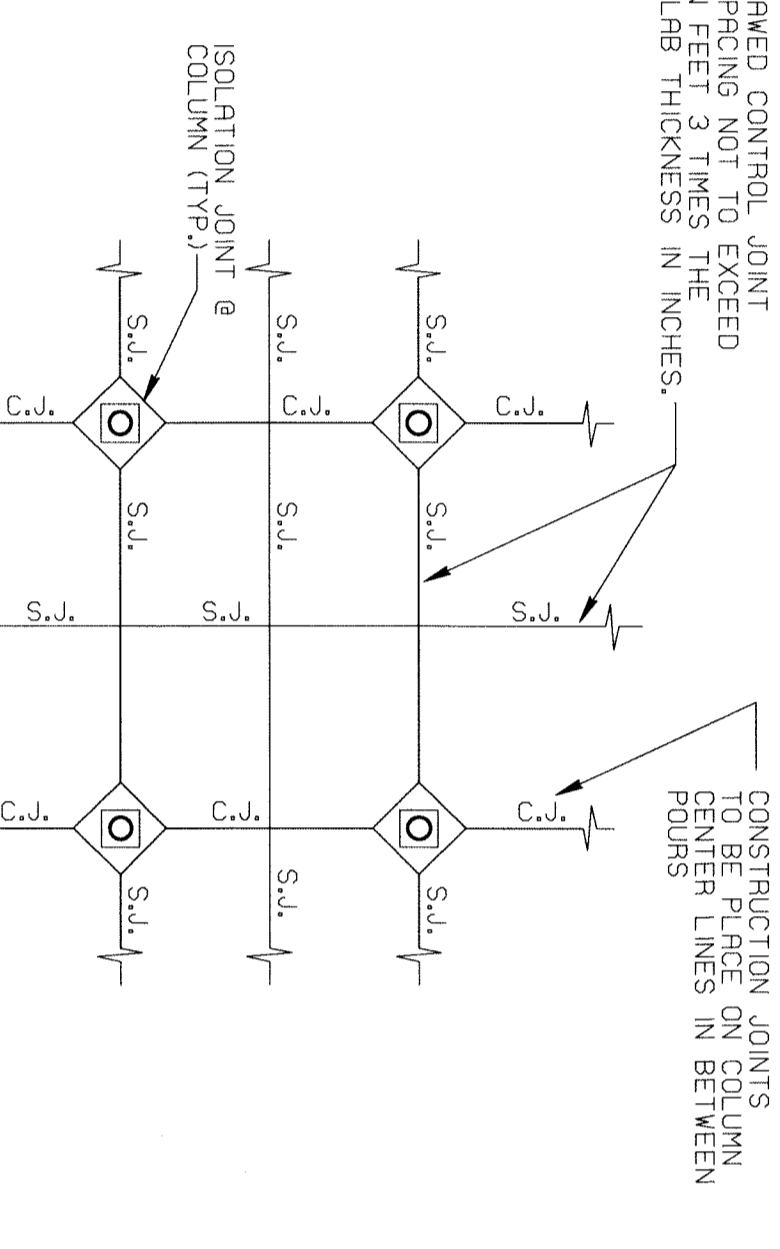
D16a TYPICAL COLUMN BASE PLATE DETAIL w/ L.P. DET



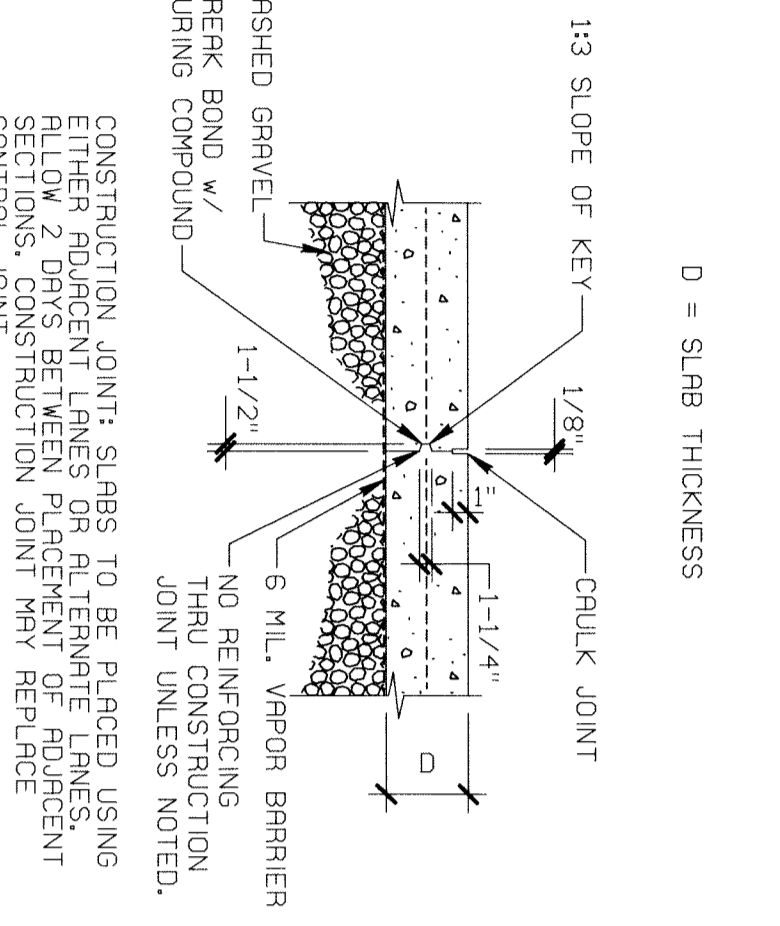
D15c ISOLATION JOINT @ WALL DET



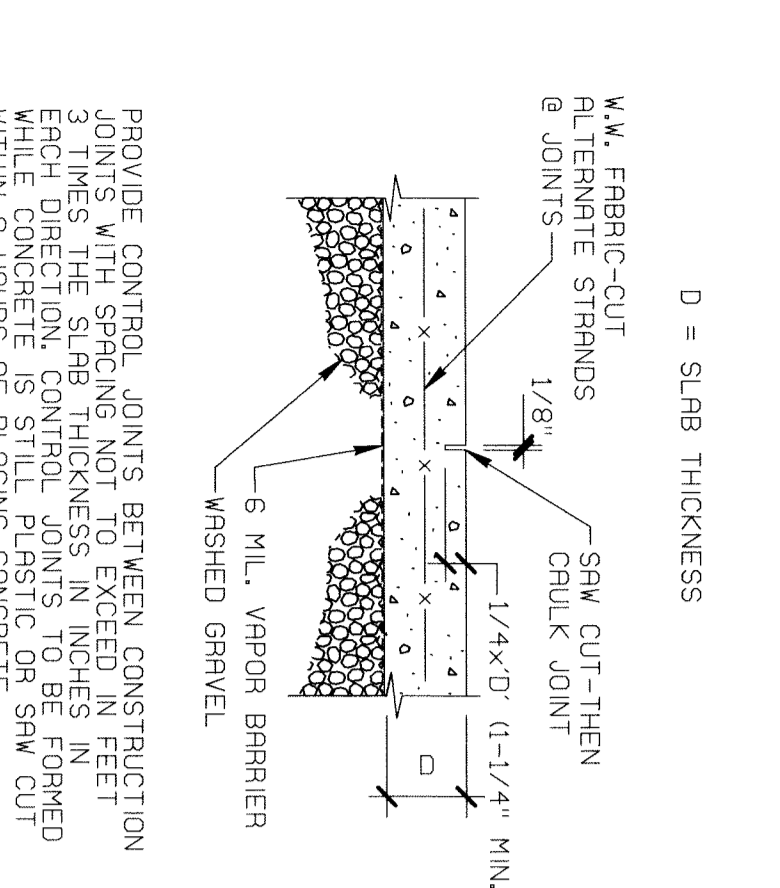
D14c ISOLATION JOINT @ INTERIOR COLUMN DET



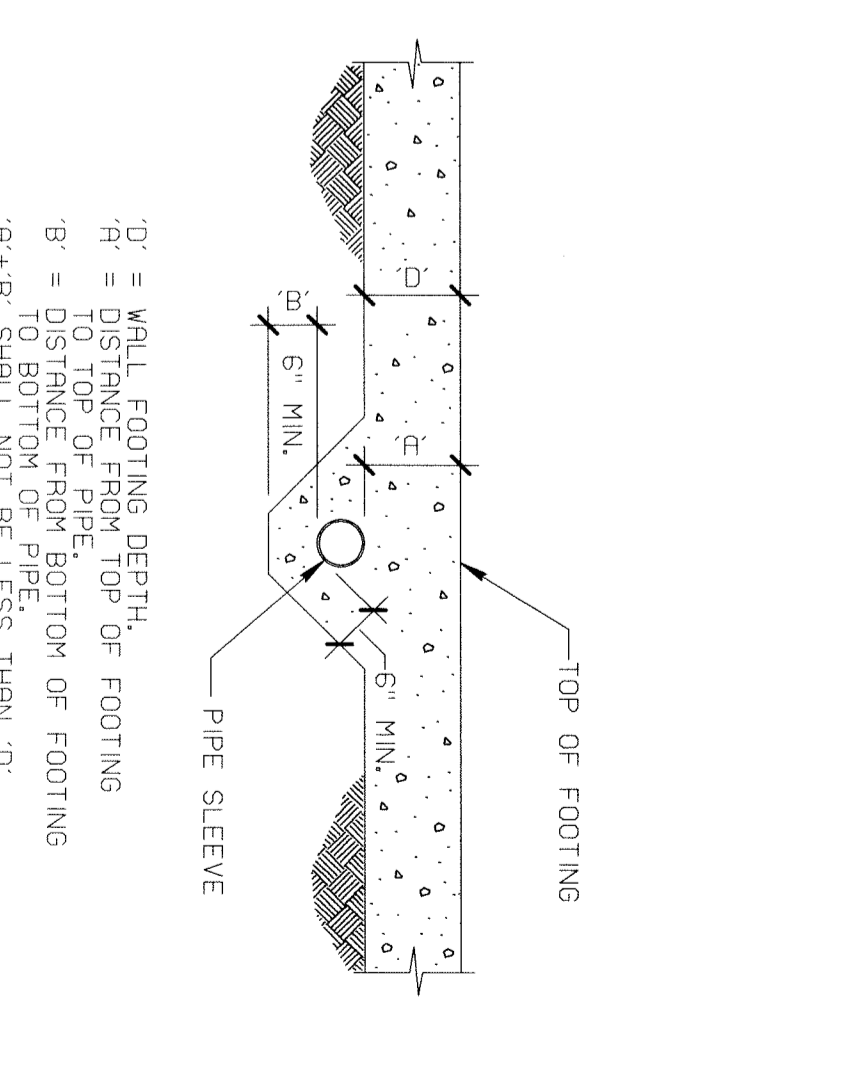
D13d JOINTING DETAIL @ SLAB ON GRADE DET



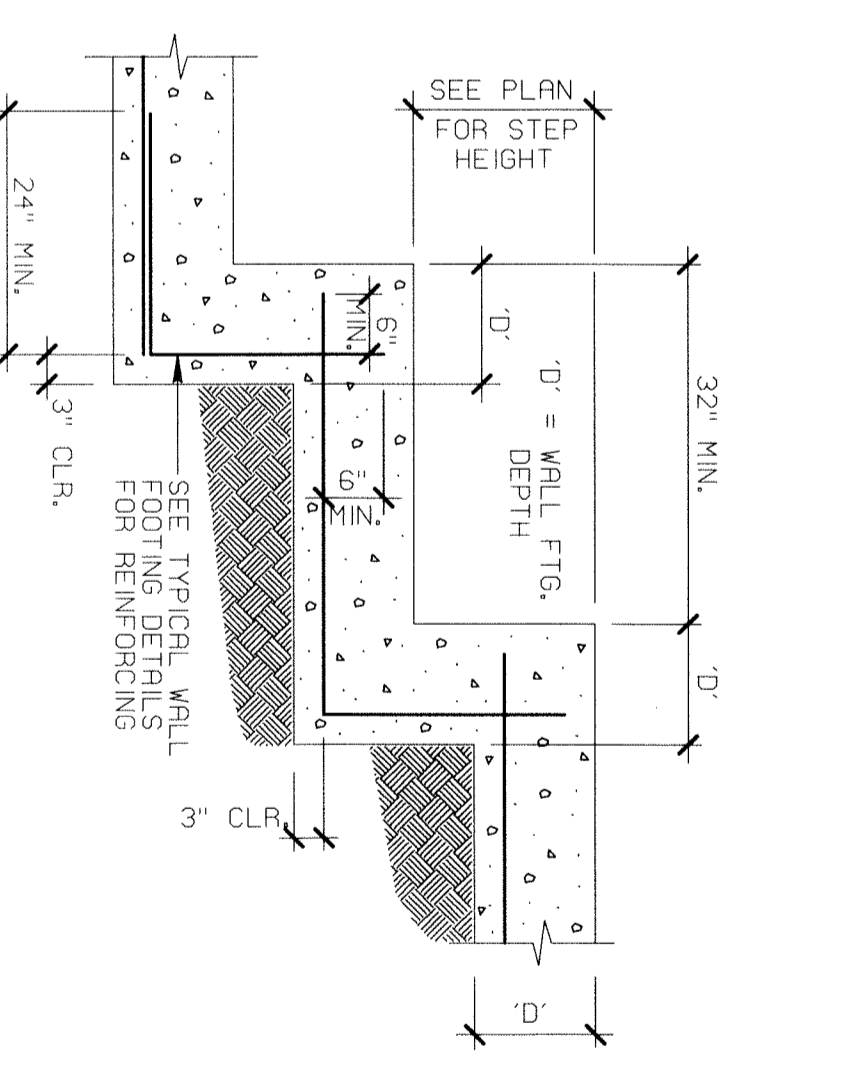
D12a CONSTRUCTION JOINT (C.J.) DET



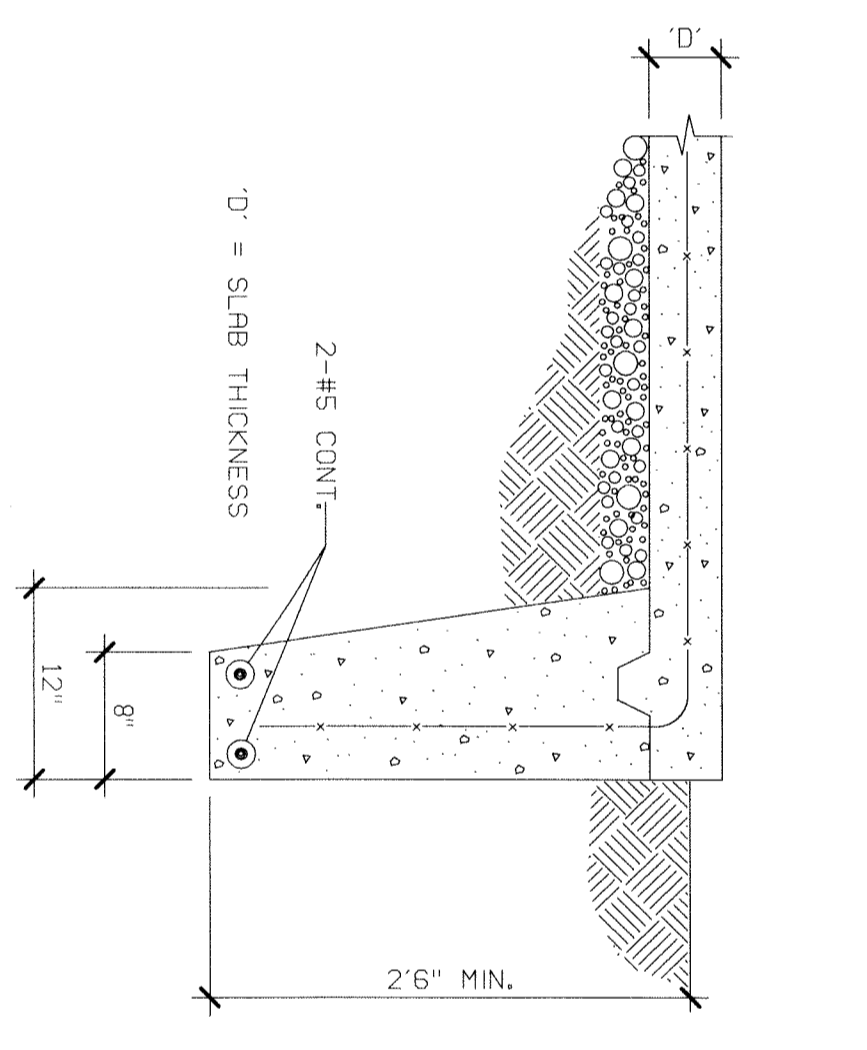
D11a SAWED CONTROL JOINT (S.J.) DET



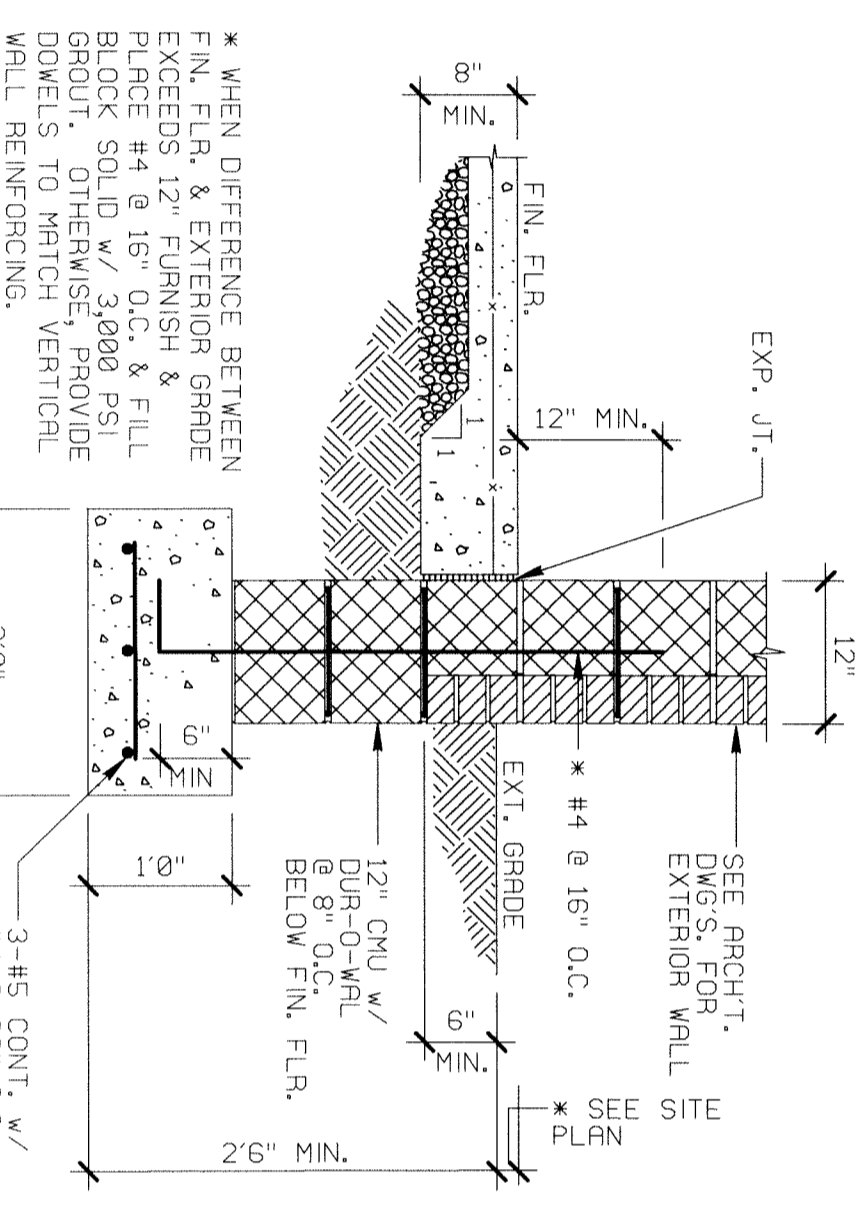
D17a WALL FTG. w/ PIPE PASSING THRU DET



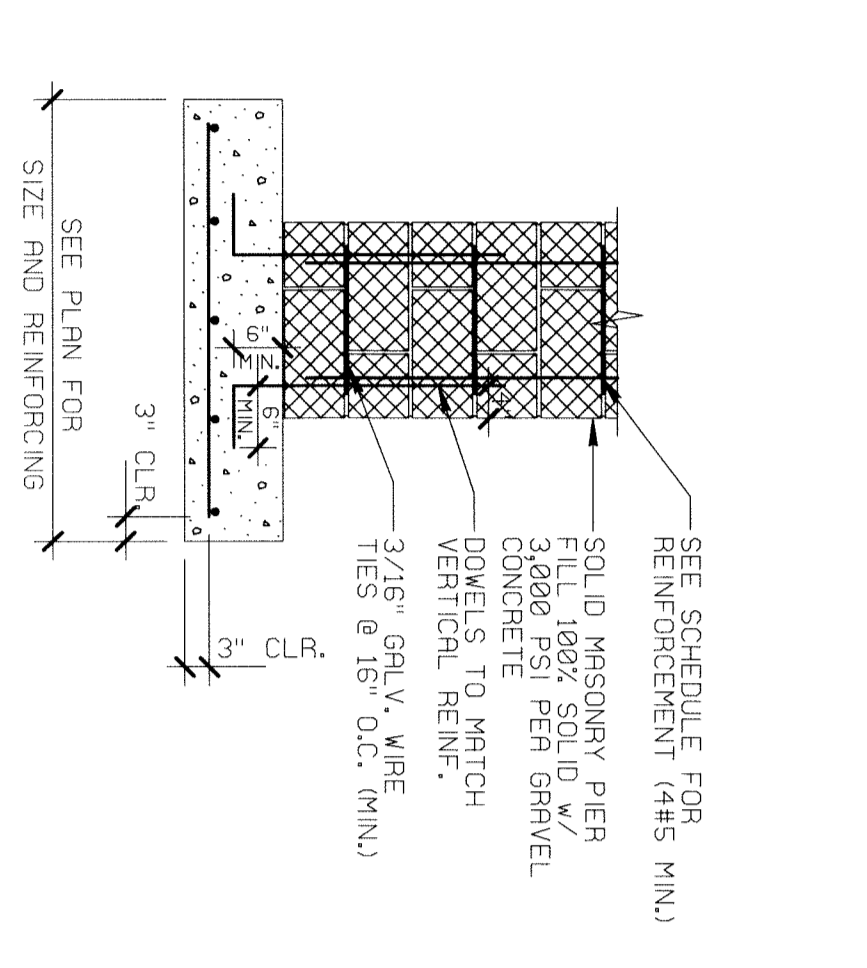
D16a TYPICAL STEPPED FOOTING DET



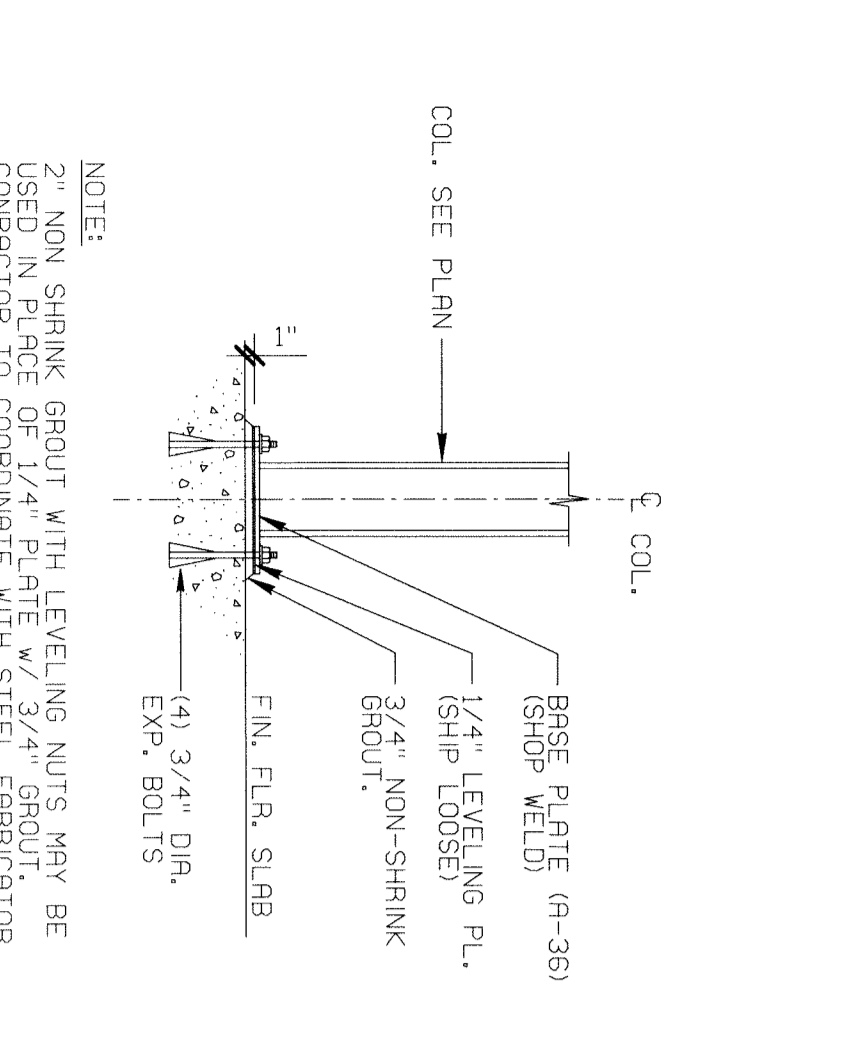
D14a DETAIL - TURN DOWN SLAB DET



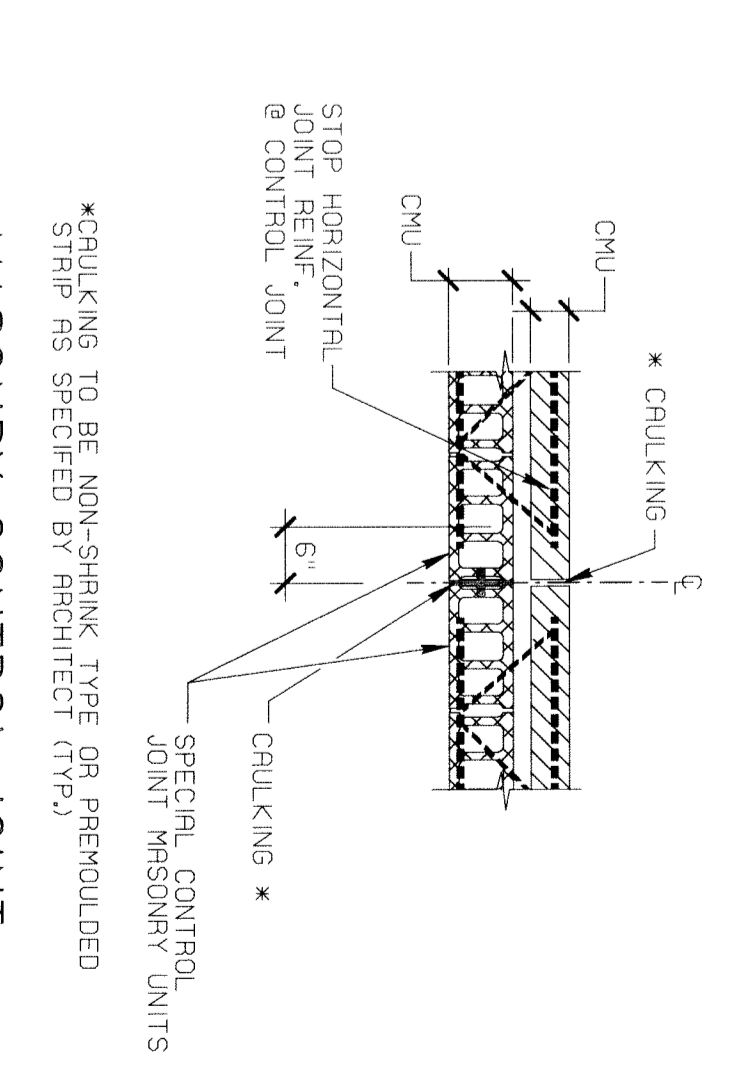
D11g TYPICAL EXTERIOR WALL FOOTING-WF2.0 DET



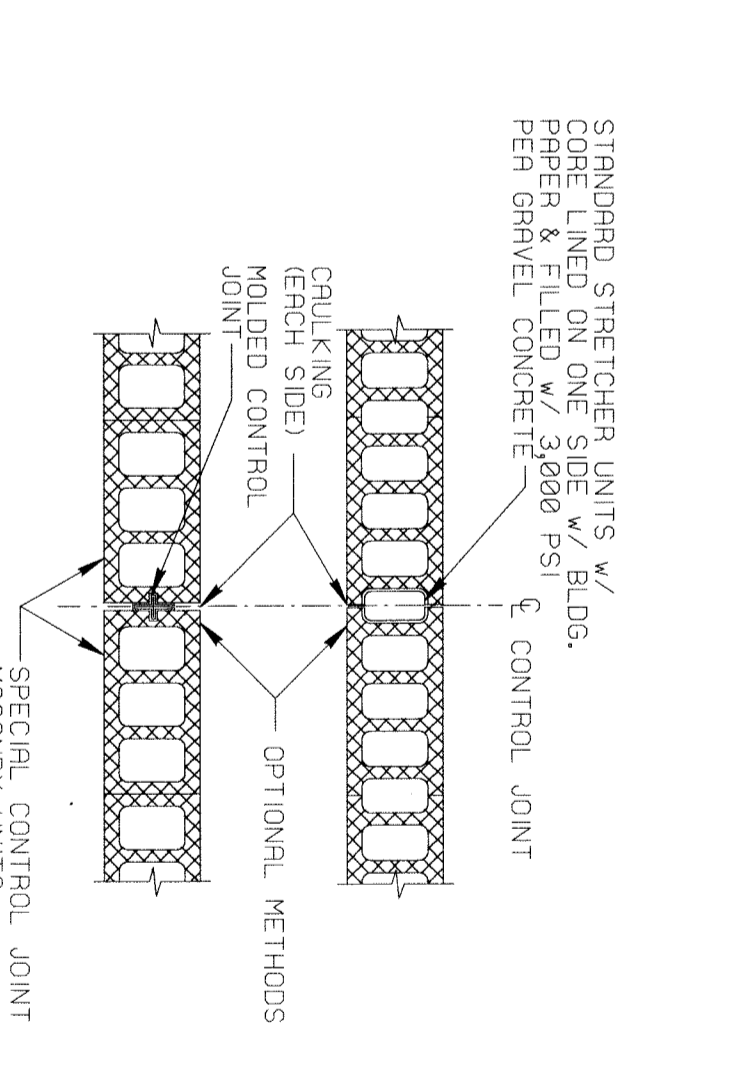
D10a TYPICAL SMP FOOTING DET



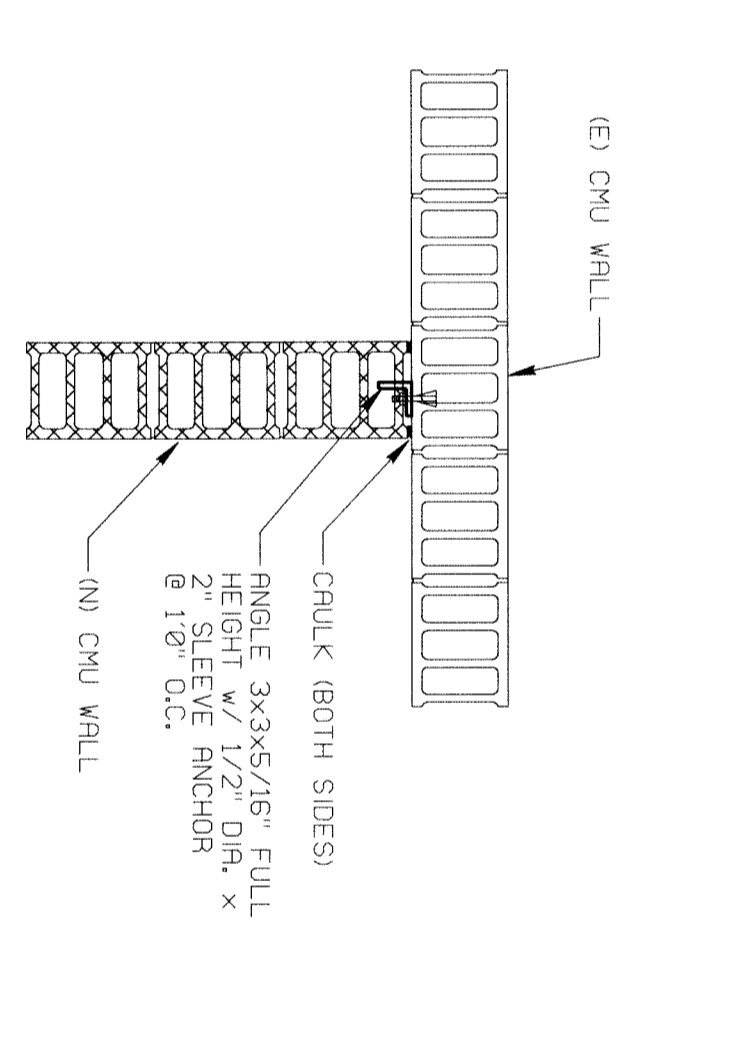
D6c TYPICAL COLUMN BASE PLATE DET



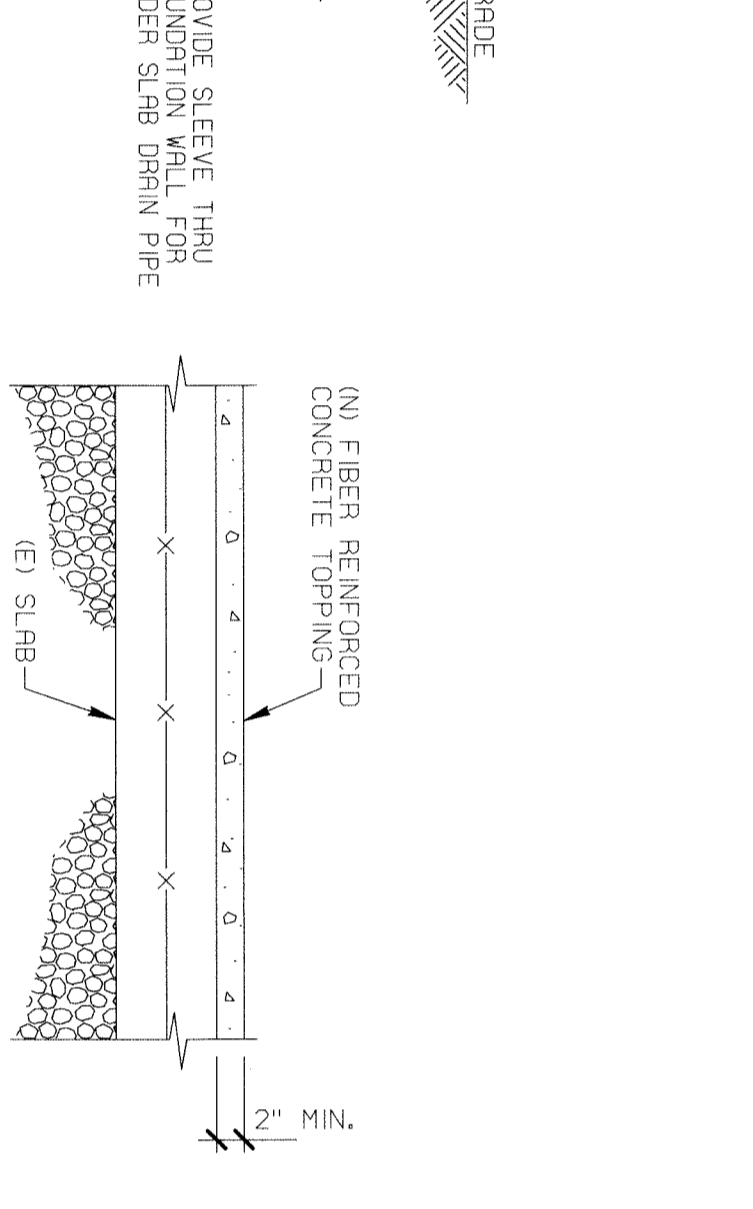
D22a MASONRY CONTROL JOINT @ CMU WALL DET



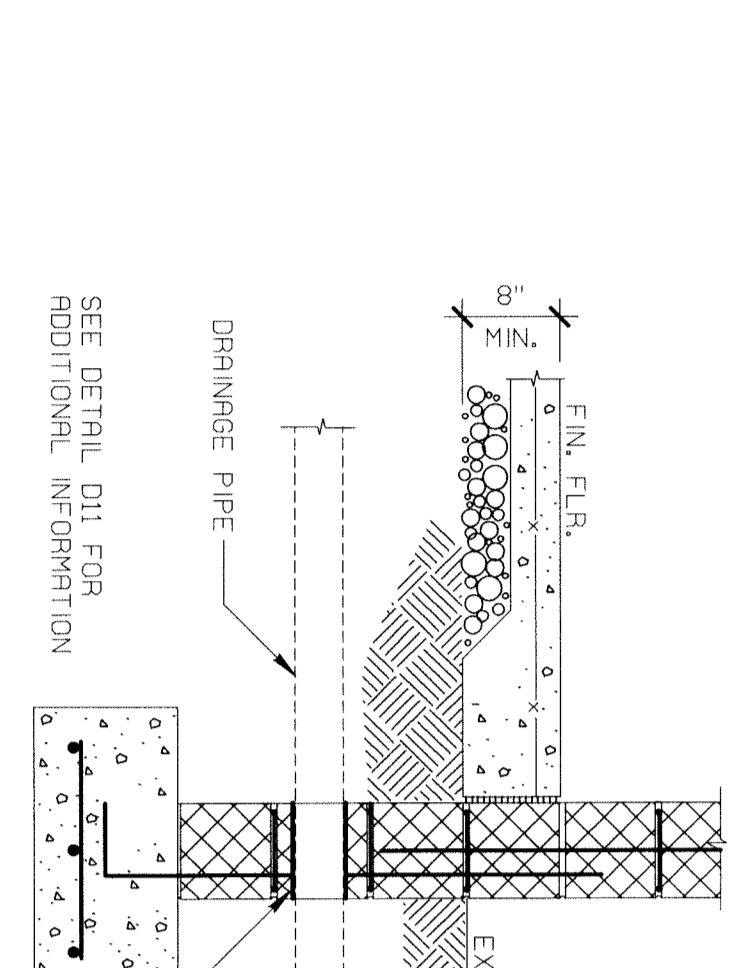
D22b MASONRY CONTROL JOINT @ BRICK AND BLOCK WALL DET



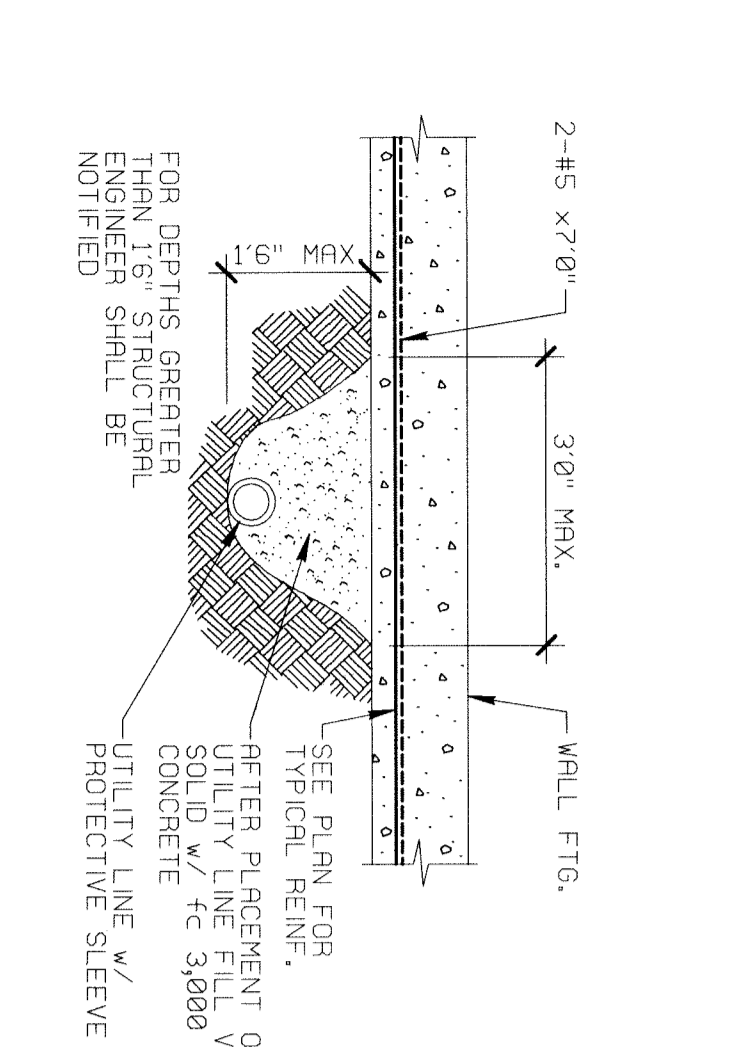
D20a BONDING ANGLE DET



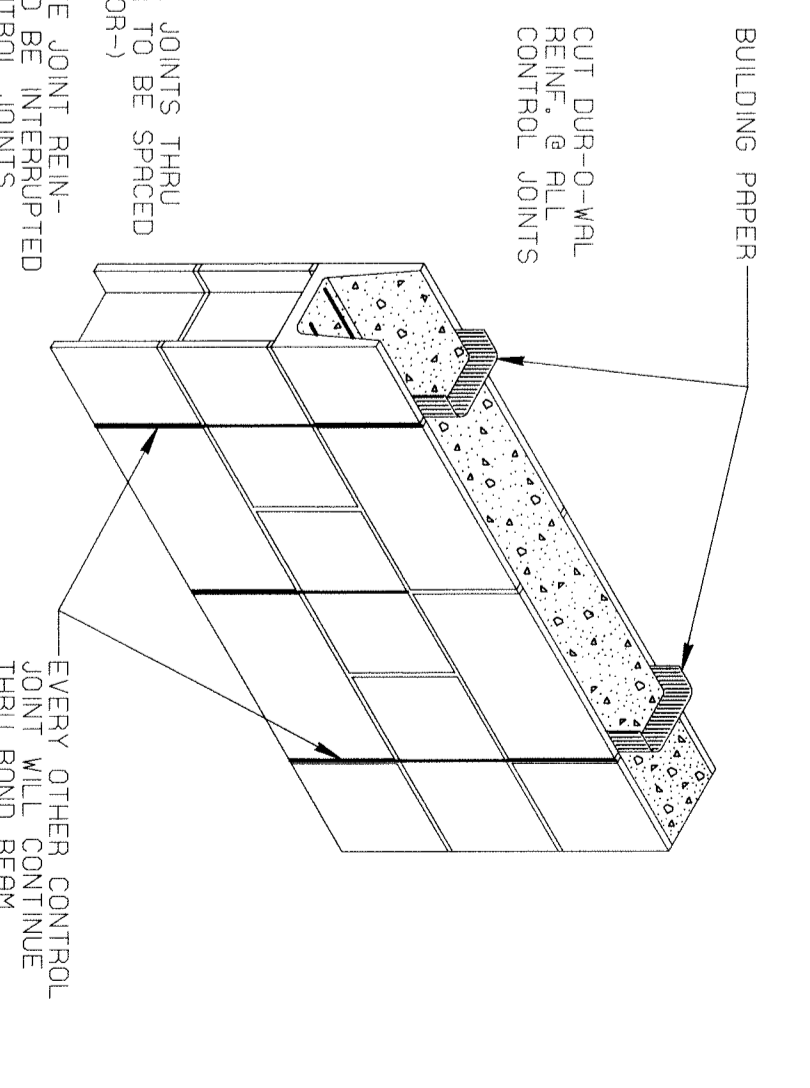
D19 (N) CONCRETE TOPPING DET



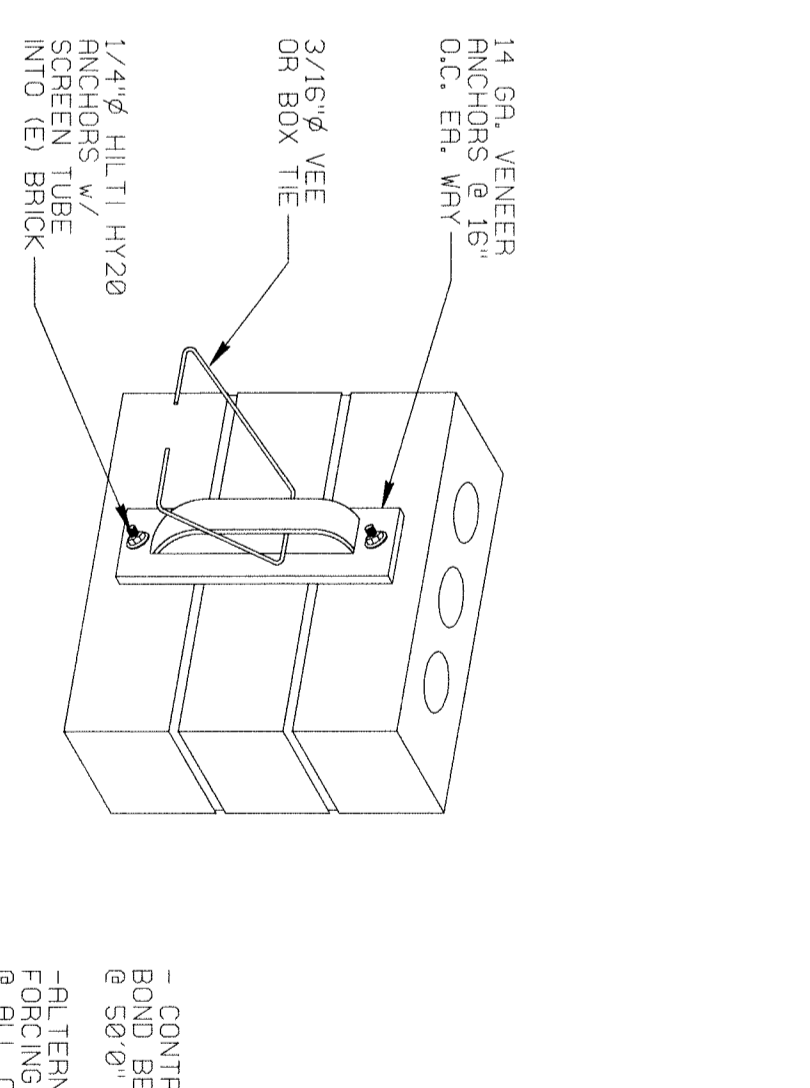
D17a FOUNDATION WALL SLEEVE DET



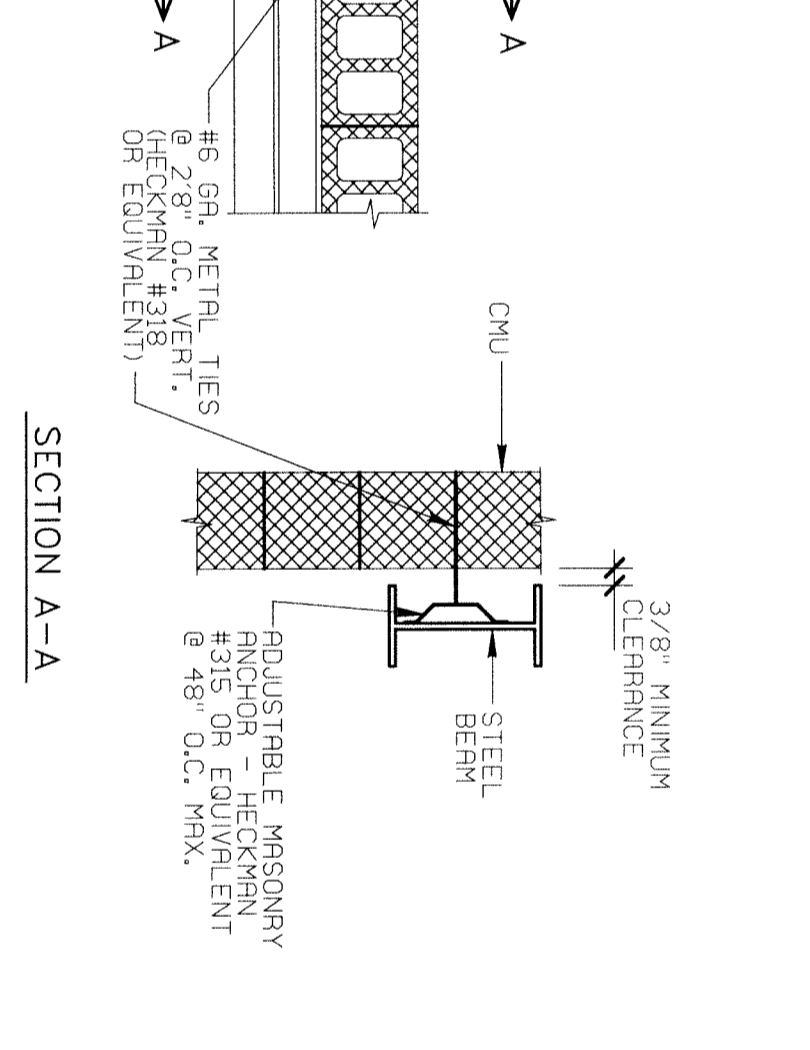
D17b TYPICAL PLACEMENT OF UTILITY LINES UNDER WALL FOOTINGS DET



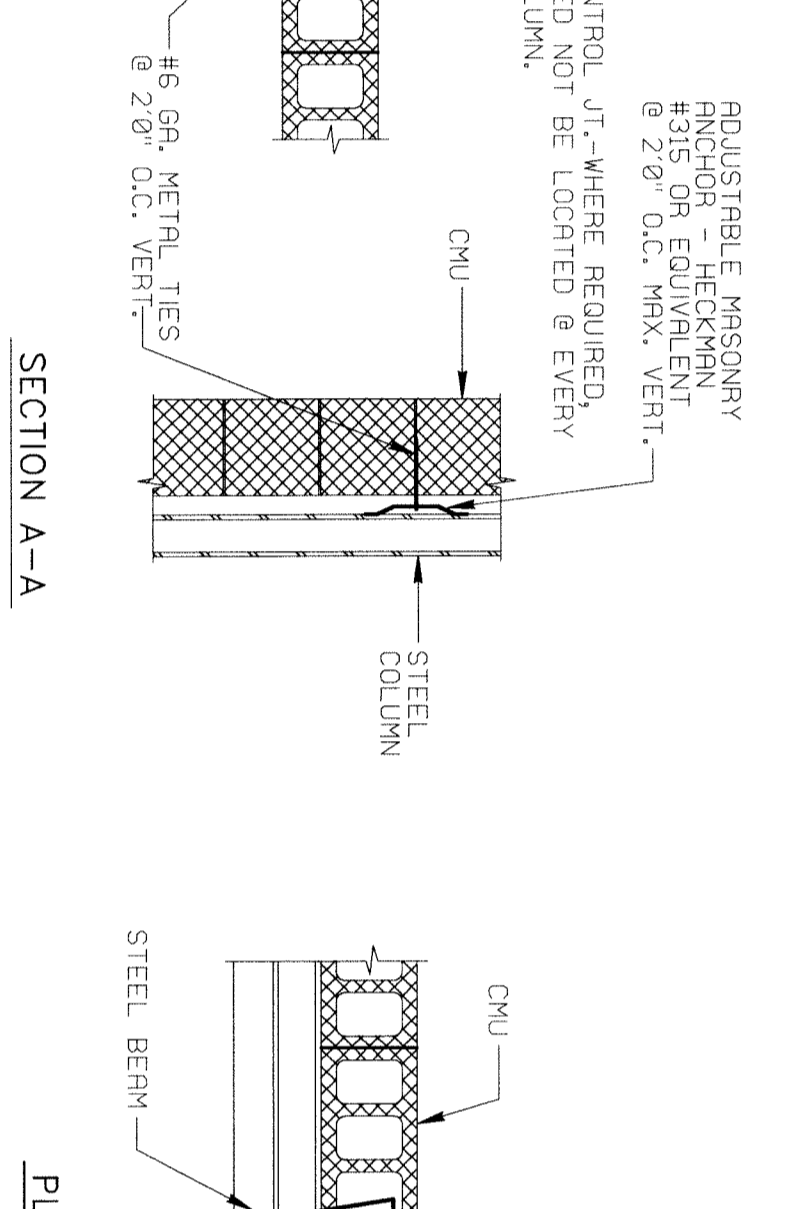
D26a DETAIL @ BOND BEAM DET



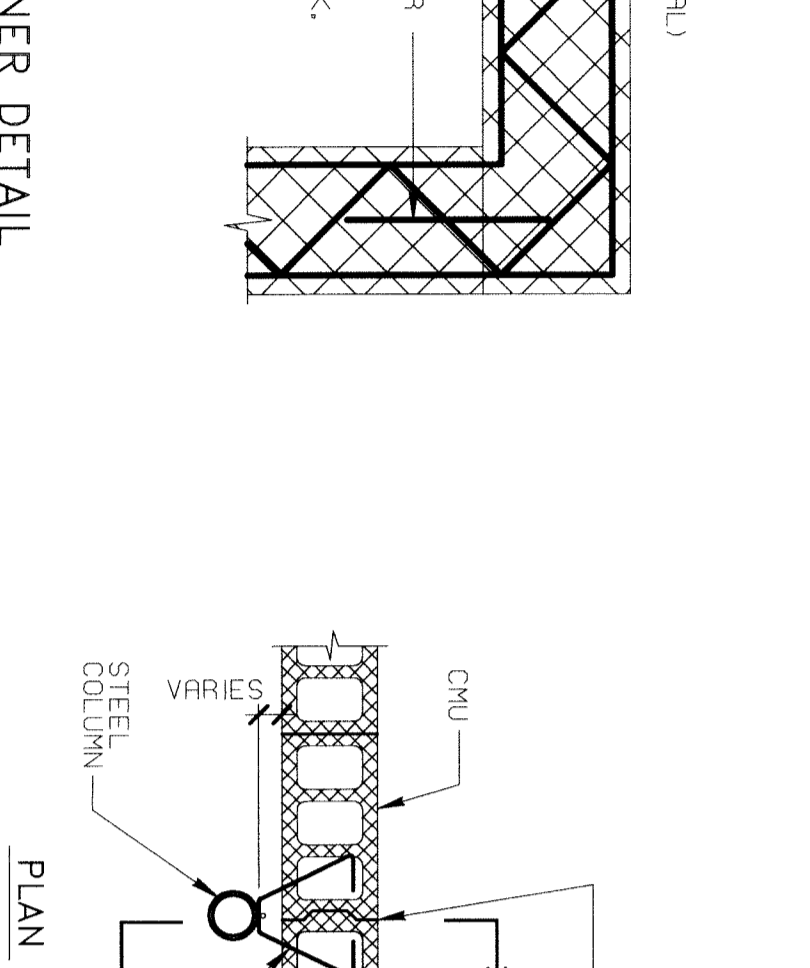
D25a DETAIL - BRICK ANCHOR DET



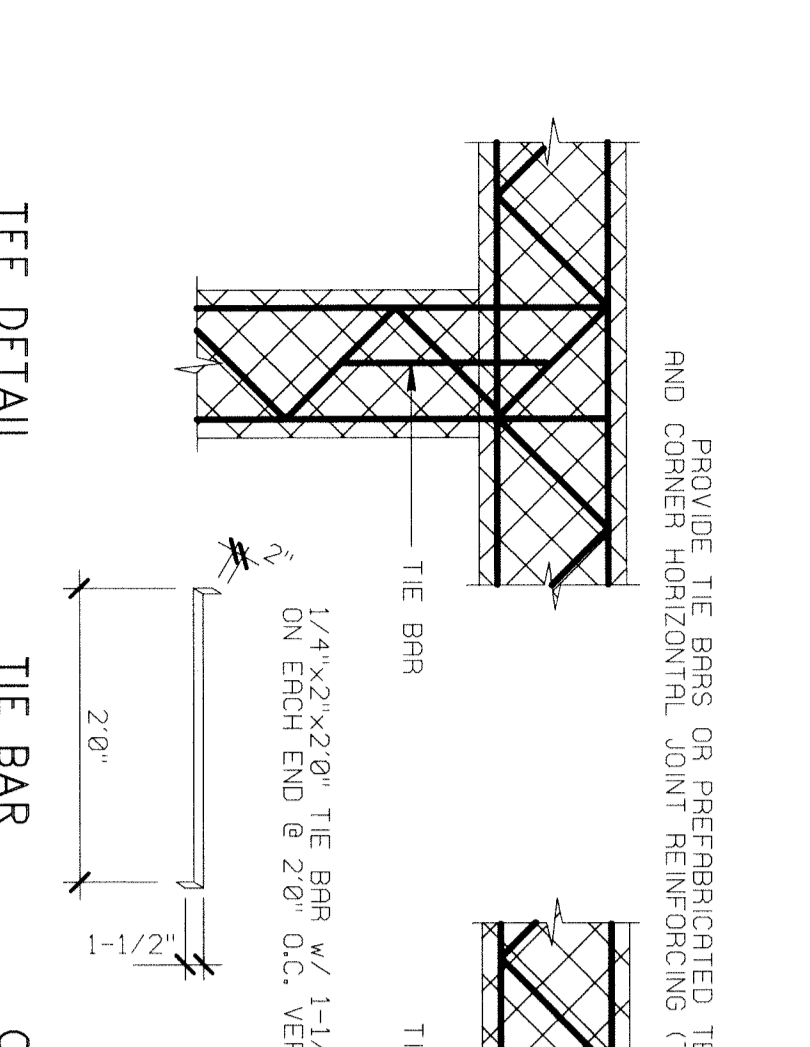
D25d MASONRY ANCHOR DETAIL WHERE STEEL BEAMS ARE PARALLEL TO MASONRY WALL DET



D25c MASONRY ANCHOR DETAIL WHERE STEEL COLUMNS ARE ADJACENT TO MASONRY WALL DET



D24b HORIZONTAL MASONRY REINFORCEMENT DETAILS DET



D24a TEE DETAIL DET

3002 Washington Road
 Suite, Annapolis 21401
 WATKINS
 Consulting Structural Engineering
 PROJECT #: 20083002